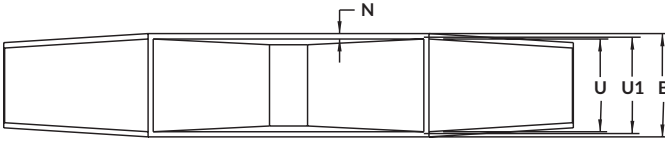
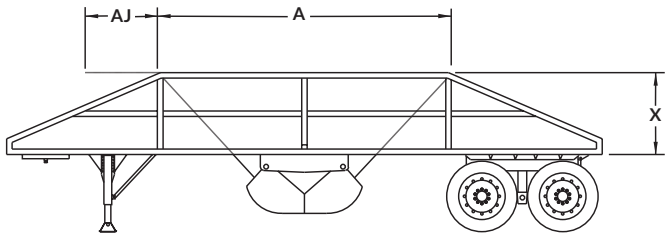
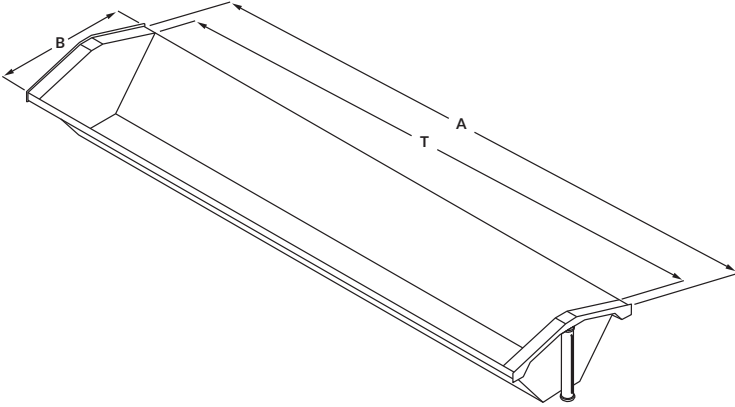


# BOX DETAIL SHEET FOR SIDE DUMPS

ALL TARPS ARE CUSTOM-MADE TO ORDER. CORRECT PHYSICAL MEASUREMENTS ARE ESSENTIAL FOR PROPER TARP FIT. PROVIDE ALL REQUESTED INFORMATION. **DO NOT** USE UNIVERSAL BOX SIZES. **ALWAYS** USE ACTUAL MEASUREMENTS. BOX SIZE AND FINISHED TARP SIZE ARE **NOT** THE SAME.



## CONTACT INFORMATION

NAME \_\_\_\_\_  
 ADDRESS \_\_\_\_\_  
 EMAIL \_\_\_\_\_  
 CITY \_\_\_\_\_ STATE \_\_\_\_\_ ZIP \_\_\_\_\_  
 PHONE \_\_\_\_\_ FAX \_\_\_\_\_

## BOX DIMENSIONS

LEAD TRAILER

MAKE \_\_\_\_\_ YEAR \_\_\_\_\_  
 A \_\_\_\_\_ UPPER OUTSIDE BOX LENGTH  
 B \_\_\_\_\_ UPPER OUTSIDE BOX WIDTH  
 T \_\_\_\_\_ INSIDE BOX LENGTH

PUP TRAILER

MAKE \_\_\_\_\_ YEAR \_\_\_\_\_  
 A \_\_\_\_\_ UPPER OUTSIDE BOX LENGTH  
 B \_\_\_\_\_ UPPER OUTSIDE BOX WIDTH  
 T \_\_\_\_\_ INSIDE BOX LENGTH

DISTANCE FROM FRONT OF PUP TO BATTERY \_\_\_\_\_

TARP LENGTH

4 FT.  35 FT. \_\_\_\_\_

TARP FABRIC/COLOR:

\_\_\_\_\_  
 \_\_\_\_\_